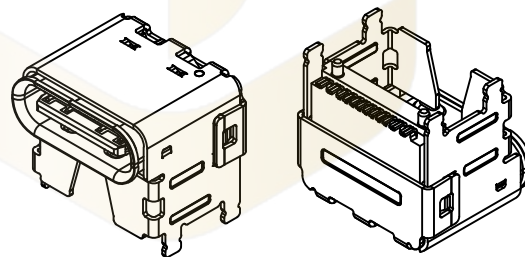
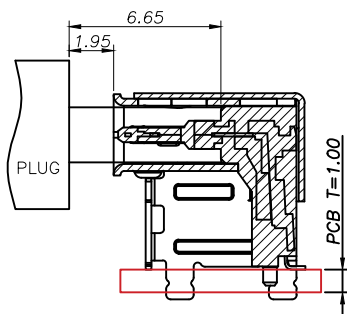
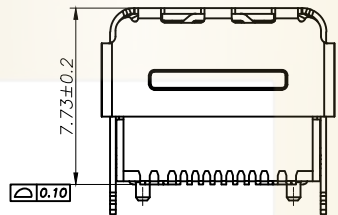
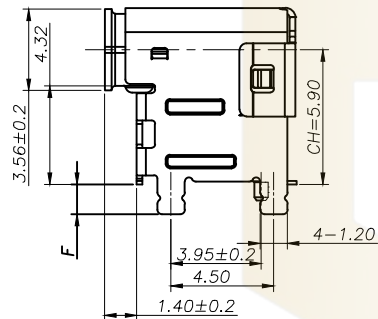


RECOMMENDED PCB LAYOUT(TOP VIEW)
THICKNESS 1.00MM;DEFAULT TOLERANCE:±0.05



NOTE:
 1.MATERIAL SPECIFICATION:
 1.HOUSING:HIGH TEMPERATURE RESISTANT PLASTIC,UL94 V-0.
 2.CONTACTS:COPPER ALLOY
 2.INSIDE SHELL:STAINLESS STEEL
 4.OUTSIDE SHELL: STAINLESS STEEL
 2.MECHANICAL PERFORMANCE,
 2-1.INSERTION FORCE: 0.5~2.0kgf.
 2-2.REMOVAL FORCE: 0.8kgf~2.0kgf.
 2-3.DURABILITY: 10000 CYCLES.
 3.ELECTRICAL PERFORMANCE,
 3-1. CURRENT RATING:5/3A
 VOLTAGE RATING:20V
 3-2. LLCR:
 VBUS & GND PINS AND OTHER PINS: 40mΩ/PIN MAX.
 SHIELD: 50mΩ/MAX.
 LLCR MAX. CHANGE OF ALL PINS: 10mΩ.
 3-3.INSULATION RESISTANCE: 100MΩ MIN
 3-4.DIELECTRIC WITHSTAND VOLTAGE,AC 100V FOR 1 MINUTE.
 4. ENVIRONMENTAL PERFORMANCE:
 OPERATING TEMPERATURE: -25°C~+85°C.
 5.IR REFLOW:
 THE PEAK TEMPERATURE ON THE BOARD SHALL
 BE MAINTAINED FOR 10 SECONDS AT 260°C.

USB TYPE-C PIN ASSIGNMENTS

PIN NUMBER	SIGNAL NAME	PIN NUMBER	SIGNAL NAME
A1	GND	B12	GND
A4	VBUS	B9	VBUS
A5	CC1	B8	SBU2
A6	Dp1	B7	Dn2
A7	Dn1	B6	Dp2
A8	SBU1	B5	CC2
A9	VBUS	B4	VBUS
A12	GND	B1	GND

P/N	(F) 脚长	COLOER	额定电流
HC-TYPE C-16P-CH5.90-3A-F1.3-G-02	1.30mm	黑色	3A
HC-TYPE C-16P-CH5.90-3A-F1.3-G-02	1.30mm	G:绿色	3A
HC-TYPE C-16P-CH5.90-3A-F1.3-Y-02	1.30mm	Y:黄色	3A

Ordering Information

HC-TYPE C - 16P - * * * - *A - F* - * - 02

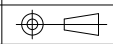
Pin 4P Type T=Top Mount (贴片) 4-脚插孔
 6P DS=DP+SMT (插板焊) 6-脚插孔
 9P MI=Mid Mount (插板) 9-脚插孔
 12P CH=Center Height (插板) 12-脚插孔
 16P VS=Vertical SMT (插板) 16-脚插孔
 24P DP=DP (插板) 24-脚插孔
 CP=Clip (插板) 插板脚
 FL=Flag (插板) 插板脚
 Current Rated 3A 3A
 F=Foot Length (脚长) L=Length (产品长度)
 Colour 黑色/白色/蓝色/绿色/黄色/紫色/红色
 W=White (白色) B=Blue(2995C) (蓝色)
 G=Green (绿色) O=Orange (橙色)
 P=Purple (紫色) Y=Yellow (黄色)

GENERAL TOLERANCE		制图	
DIM	TOL	审核	检查
X.X	±0.30	批准	批准
X.XX	±0.20	比例	比例
X.XXX	±0.10	投影	投影
Angle	±3.0°	Projection	Projection

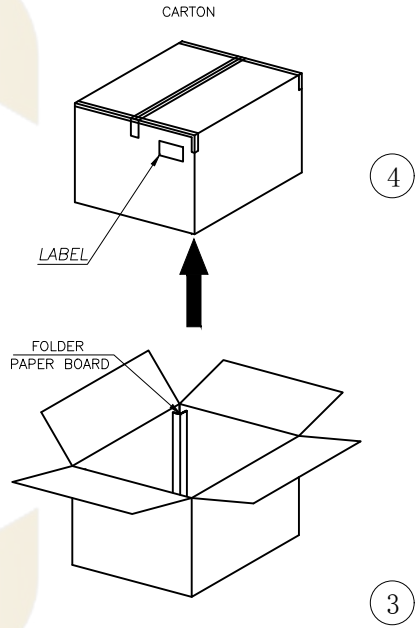
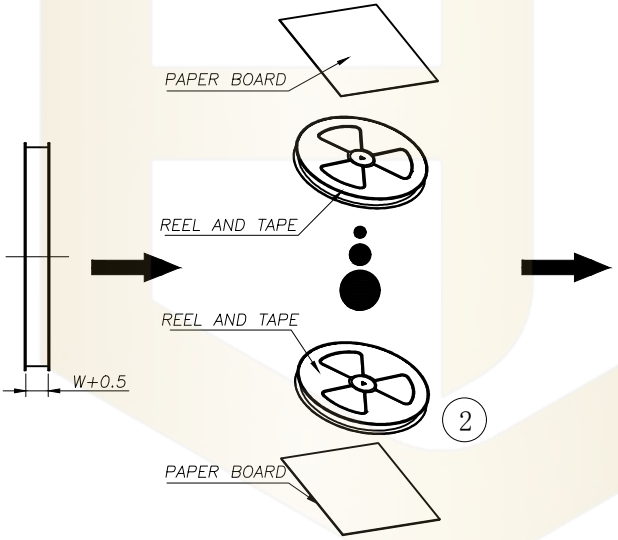
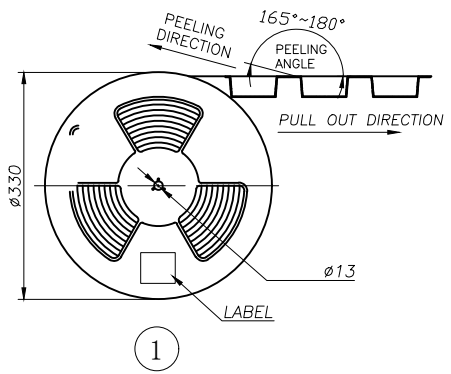
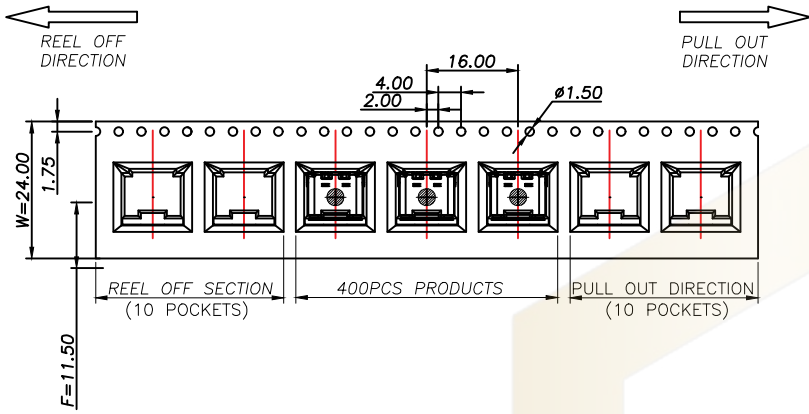
深圳市华灿天禄电子有限公司
ShenzhenhuacantianluELECTRONICS CO.,LTD

产品名称	TITLE	版本	REV.	UNIT	UNITS
TYPE CF 16P 垫高4.30	CH=5.90mm 脚长1.3 无弹带柱				
产品料号	HC-TYPE C-16P-CH5.90-XA-F1.3-X-02	单位			
PART NO.		页次			
材料		SHEET			

序号	变更内容	日期
No.	MODIFY CONTENT	MODIFY DATE
1	初版发行	



pcs/box	boxes/Carton	Pcs/Box
400	10	4000



			GENREL TOLERANCE		制图 DRAWING		深圳市华灿天禄电子有限公司 ShenzhenhuacantianluELECTRONICS CO.,LTD			
			DIM	TOL	审核 CHECK		产品名称 TITLE		版本 REV.	A
			X.X	± 0.30	批准 APPROVAL		TYPE CF 16P 垫高4.30 CH=5.90mm 脚长1.3 无弹带柱-包装图			
1			X.XX	± 0.20	比例 SCALE		产品料号 PART NO.		单位 UNITS	mm
序号 No.			变更内容 MODIFY CONTENT	日期 MODIFY DATE	投影 Projection		材料 MATERIAL		页次 SHEET	1/2
			X.XXX	± 0.10	材料 MATERIAL		HC-TYPE C-16P-CH5.90-XA-F1.3-X-02			
			Angle	$\pm 3.0^{\circ}$	材料 MATERIAL					