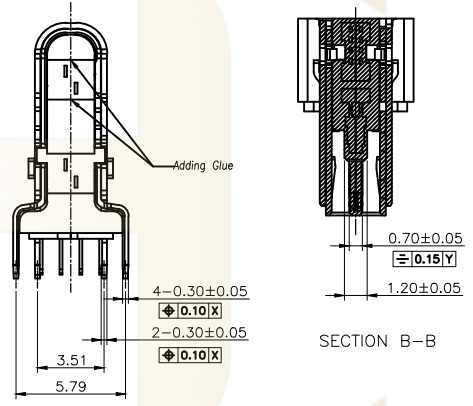
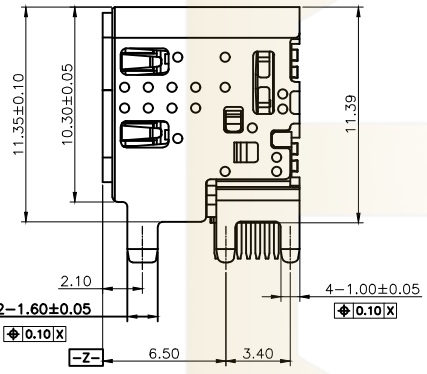
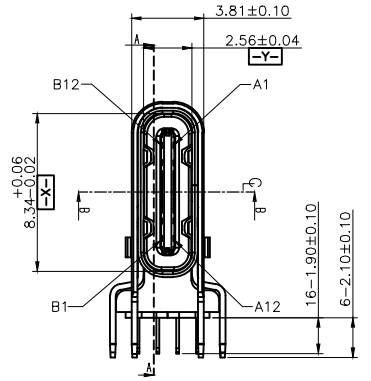
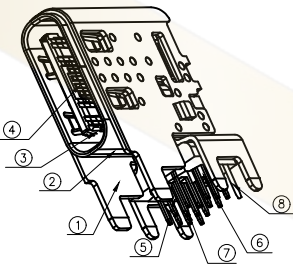
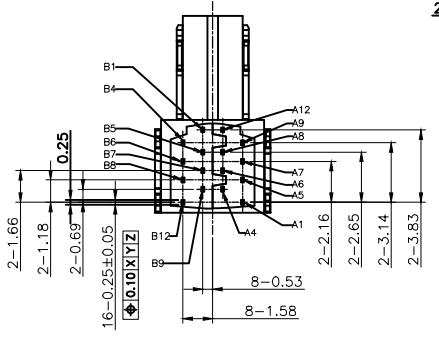


NOTES:
 1.) Material:
 All Housing: PA46(Polyplastics),Black,Thermoplastics,UL94V-0
 Contact: Copper Alloy
 Mid Plate:Stainless Steel
 Outer Shell:Stainless Steel
 Inner Shell:Stainless Steel
 2.) ELECTRICAL CHARACTERISTICS:
 2-1. VOLTAGE RATING: 20V AC/DC
 2-2. CURRENT RATING: 5A
 2-3. INSULATION RESISTANCE: 100MEG.OHM MIN
 2-4. CONTACT RESISTANCE: 40 MILL.OHM MAX
 2-5. OPERATION TEMPERATURE: -30° TO +85°
 2-6. WITHSTANDING STRENGTH:500V AC FOR 1 MINUTE.
 2-7. INSERT FORCE: 5-20N
 2-8. EXTRACT FORCE: 8-20N
 2-9. DURABILITY: 10000 CYCLES



PIN NUMBER	SIGNAL NAME	PIN NUMBER	SIGNAL NAME
A1	GND	B12	GND
A4	VBUS	B9	VBUS
A5	CC1	B8	SBU2
A6	Dp1	B7	Dn2
A7	Dn1	B6	Dp2
A8	SBU1	B5	CC2
A9	VBUS	B4	VBUS
A12	GND	B1	GND



P/N	(L)	COLOR	额定电流
HC-TYPE C-16P-FL6.65Q-5A-06	10.40mm	黑色	5A

Ordering Information

HC-TYPE C - 16P - * * * - *A - F* - * - 06

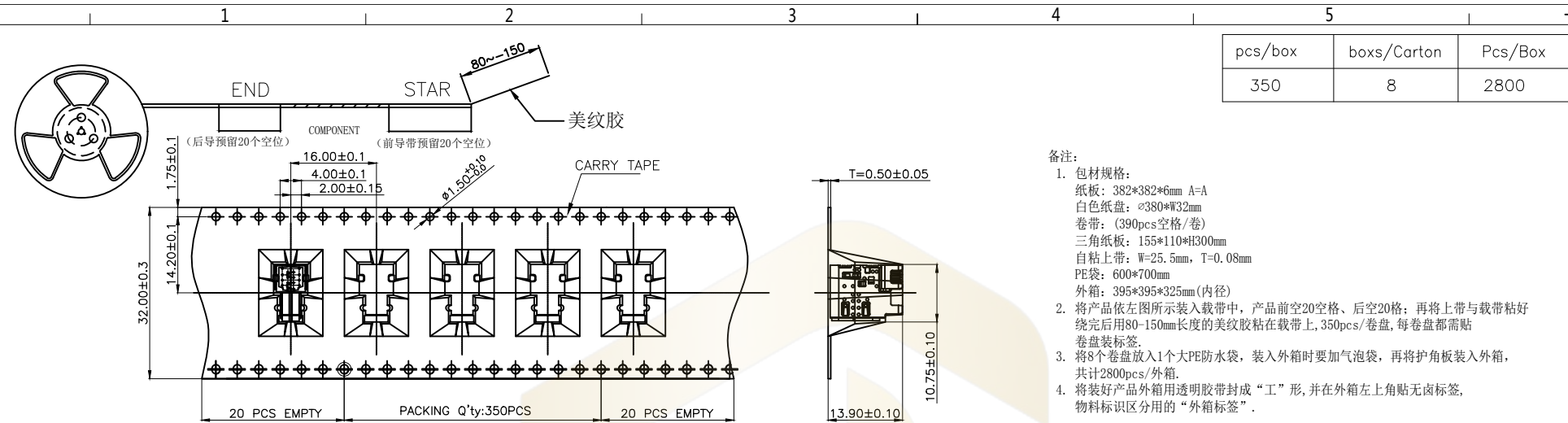
Pin: 4P, 6P, 8P, 12P, 16P, 24P
 Type: TM=Top Mount (板上), DS=DF+SMF (表面贴脚), Mid=Mid Mount (中间), V=Vertical SMF (垂直贴脚), GP=GP (贴片), CP=Clip (夹板), FL=Flg (插板)
 Current Rated: 5A, 10A
 Foot Length: 10.40mm (脚长)
 Colour: W=White, G=Green, O=Orange, Y=Yellow

NO.	NAME	QT'	Y	MATERIAL	PLATING
⑧	Up Terminal	12		C7025-TM02,T=0.15	Contact Area:Pd Ni 0.30um Min, Au 0.05um Min Solder Area:Au 0.05um Min Ni 2.0-5.0um over all
⑦	Down Terminal	12			
⑥	Up Moding	1		PA46 HFX33S,UL94 V-0	Black
⑤	Down Moding	1			
④	Second Moding	1			
③	Mid Plate	1		SUS301-H,T=0.20	Ni 1.0-5.0um Underplating
②	Inner Shell	1		SUS304-3/4H,T=0.30	Ni 1.0-5.0um Underplating
①	Outer Shell	1		SUS304-3/4H,T=0.30	Ni 1.0-5.0um Underplating

序号 No.	变更内容 MODIFY CONTENT	日期 DATE	GENERAL TOLERANCE	制图 DRAWING	审核 CHECK	批准 APPROVAL	比例 SCALE	投影 Projection
			DIM TOL					
			X.X ±0.30					
			X.XX ±0.20					
			X.XXX ±0.10					
			Angle ±3.0°					
1	初版发行							

深圳市华灿天禄电子有限公司
 ShenzhenhuacantianluELECTRONICS CO.,LTD

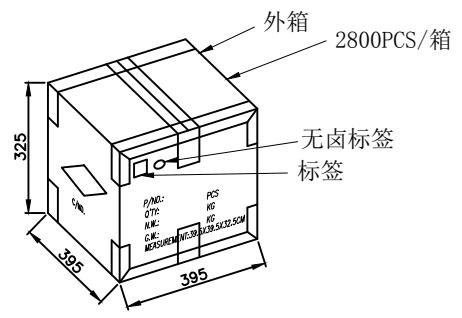
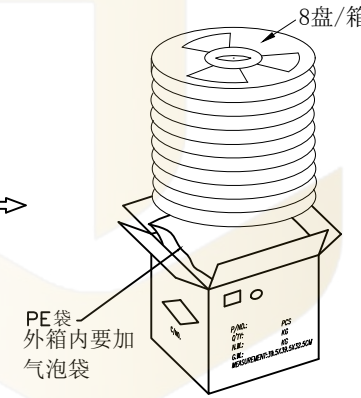
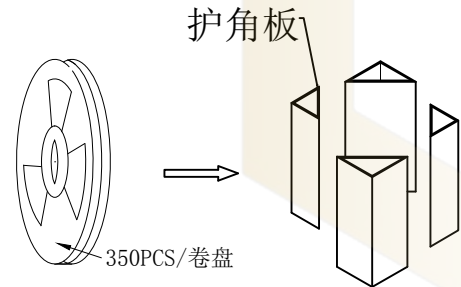
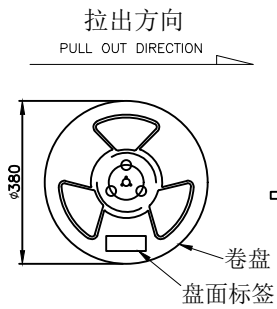
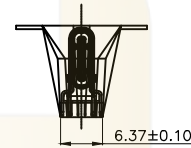
产品名称 TITLE	TYPE CF 16P 侧插 无壳 带弹 无柱	版本 REV.	A
产品料号 PART NO.	HC-TYPE C-16P-FL6.65Q-5A-06	单位 UNITS	mm
材料 MATERIAL		页次 SHEET	1/2



pcs/box	boxes/Carton	Pcs/Box
350	8	2800

备注:

1. 包材规格:
 纸板: 382*382*6mm A=A
 白色纸盘: $\varnothing 380$ *W32mm
 卷带: (390pcs空格/卷)
 三角纸板: 155*110*H300mm
 自粘上带: W=25.5mm, T=0.08mm
 PE袋: 600*700mm
 外箱: 395*395*325mm(内径)
2. 将产品依左图所示装入载带中, 产品前空20空格、后空20格; 再将上带与载带粘好绕完后用80-150mm长度的美纹胶粘在载带上, 350pcs/卷盘, 每卷盘都需贴卷盘装标签.
3. 将8个卷盘放入1个大PE防水袋, 装入外箱时要加气泡袋, 再将护角板装入外箱, 共计2800pcs/外箱.
4. 将装好产品外箱用透明胶带封成“工”形, 并在外箱左上角贴无卤标签, 物料标识区分用的“外箱标签”.



			GENERAL TOLERANCE		制图		深圳市华灿天禄电子有限公司 ShenzhenhuacantianluELECTRONICS CO., LTD				
			DIM	TOL	DRAWING						
			X.X	±0.30	审核		产品名称		TYPE CF 16P 侧插 无壳	版本	A
			X.XX	±0.20	批准		TITLE		CH6.65mm L10.4mm 带弹无柱-包装图	REV.	
1			初版发行		APPROVAL		产品料号		HC-TYPE C-16P-FL6.65Q-5A-06	单位	mm
			X.XXX	±0.10	比例		PART NO.			UNITS	
序号			变更内容		投影		MATERIAL			页次	2/2
No.			MODIFY CONTENT		Angle		Projection			SHEET	
			日期	MODIFY DATE							