

MATERIALS

- HOUSING : LCP (UL 94V-0), BLACK.
- TERMINAL : COPPER ALLOY,C18400 T=0.12
GOLD 3u"PLATED ON CONTACT AREA.
GOLD FLASH PLATING ON SOLDER TAIL.
NICKEL UNDERPLATED OVER ALL.
- MID PLATE : STAINLESS STEEL. SUS301 T=0.15
- SHELL : STAINLESS STEEL,SUS301 T=0.30 NICKEL PLATING.
- EMI : STAINLESS STEEL,SUS304 T=0.10

SPECIFICATION

- CURRENT RATING : 5.0A FOR Vbus PIN,
1.25A FOR Vconn PIN,
0.25A FOR OTHER PINS.
- CONTACT RESISTANCE : 40mΩ.
- INSULATION RESISTANCE : 100MΩ MIN.
- DIELECTRIC WITHSTANDING VOLTAGE : 100 VAC MIN.
- OPERATING TEMPERATURE : -40°C TO +85°C.
- MATING FORCE : 5~20N.
- UNMATING FORCE : 8~20N.
- DURABILITY : 10,000 CYCLES.
- RECOMMENDED PROCESS :
THE PEAK TEMPERATURE ON THE BOARD SHALL
MAINTAIN 260°C.
- 高频40G

RECOMMENDED P.C.B LAYOUT
TOLERANCE ± 0.05mm (TOP VIEW)

USB TYPE-C PIN ASSIGNMENTS

PIN NUMBER	SIGNAL NAME	PIN NUMBER	SIGNAL NAME
A1	GND	B12	GND
A2	SSTXP1	B11	SSRXP1
A3	SSTXN1	B10	SSRXN1
A4	VBUS	B9	VBUS
A5	CC1	B8	SBU2
A6	Dp1	B7	Dn2
A7	Dn1	B6	Dp2
A8	SBU1	B5	CC2
A9	VBUS	B4	VBUS
A10	SSRXN2	B3	SSTXN2
A11	SSRXP2	B2	SSTXP2
A12	GND	B1	GND

P/N	(L)	COLOR	额定电流
HC-TYPE C-24P-FLS-CH5.06-5A-23	14.30mm	黑色	5A

Ordering Information

HC-TYPE-C - 24P - ** - *** - *A - P* - * - 23

Pin AP, BP, CP, DP, 24P

Type: TM=Top Mount (带), TS=Top SMT (带), MM=Mid Mount (带), CS=Center Height (带), VS=Vertical SMT (带), DP=DP (带), FL=Flag (带), FLS=Flag SMT (带)

Current: 3A, 5A

Foot Length: 14.30mm

Color: BK=Black, WH=White, GR=Green, OR=Orange, PU=Purple, YE=Yellow

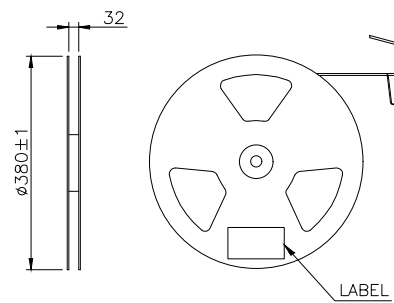
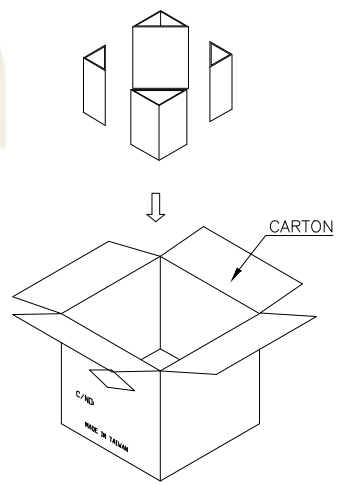
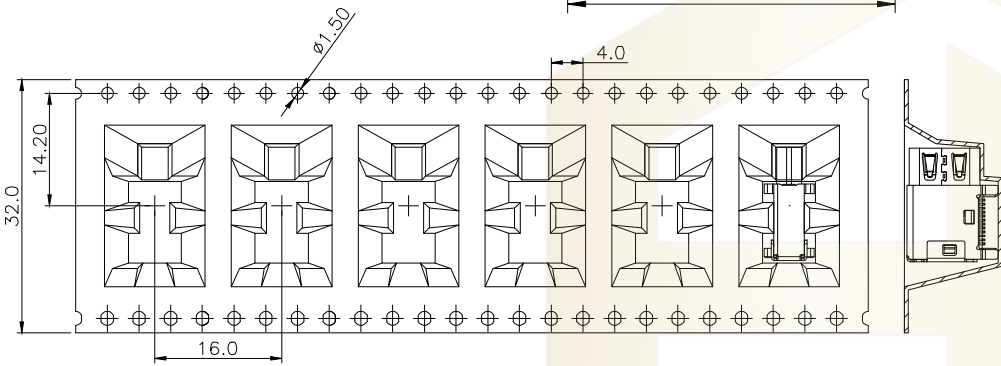
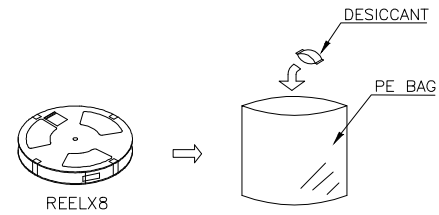
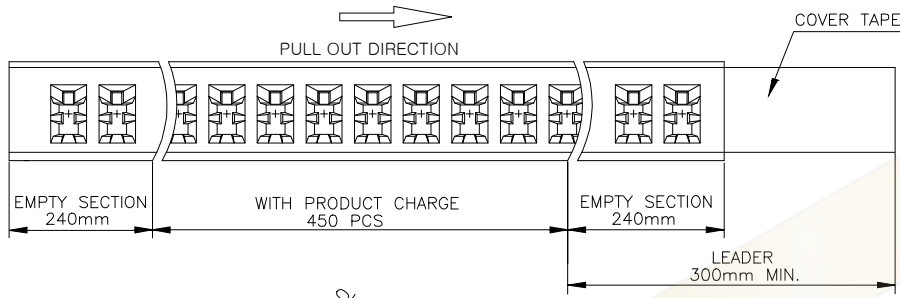
GENERAL TOLERANCE		制图 DRAWING	
DIM	TOL	审核	CHECK
X.X	±0.30	批准	APPROVAL
X.XX	±0.20	比例	SCALE
X.XXX	±0.10	投影	Projection
Angle	±3.0°		

深圳市华灿天禄电子有限公司
ShenzhenhuacantianluELECTRONICS CO.,LTD

产品名称 TITLE	TYPE CF 24P 侧面贴片 CH5.06mm L14.3mm 带弹带柱 40G	版本 REV.	A
产品料号 PART NO.	HC-TYPE C-24P-FLS-CH5.06-5A-23	单位 UNITS	mm
材料 MATERIAL		页次 SHEET	1/2

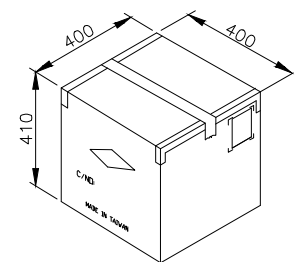
序号 No.	变更内容 MODIFY CONTENT	日期 MODIFY DATE
1	初版发行	

pcs/box	boxes/Carton	Pcs/Box
450	8	3600



PACKAGE

1. SIZE :
 REEL : $\phi 380 \times 32$ mm
 CARTON : 400 x 400 x 410 mm (LxWxH)
2. QUANTITY :
 450 PCS / REEL
 8 REEL / CARTON = 3,600 PCS



			GENREL TOLERANCE		制图 DRAWING		深圳市华灿天禄电子有限公司 ShenzhenhuacantianluELECTRONICS CO.,LTD				
			DIM	TOL	审核 CHECK		产品名称 TITLE		TYPE CF 24P 侧面贴片 CH5.06mm L14.3mm 带弹带柱 40G-包装图	版本 REV.	A
			X.X	± 0.30	批准 APPROVAL		产品料号 PART NO.		HC-TYPE C-24P-FLS-CH5.06-5A-23	单位 UNITS	mm
			X.XX	± 0.20	比例 SCALE		投影 Projection			页次 SHEET	2/2
			X.XXX	± 0.10	材料 MATERIAL						
序号 No.	变更内容 MODIFY CONTENT	日期 MODIFY DATE	Angle $\pm 3.0^\circ$								